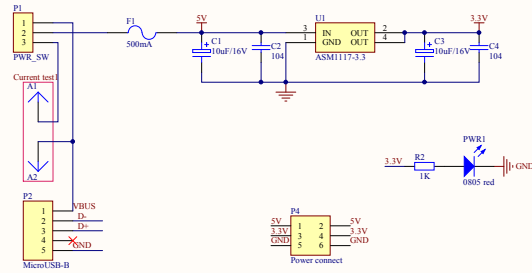
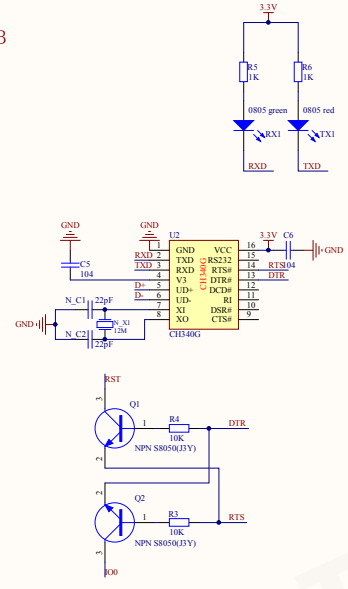


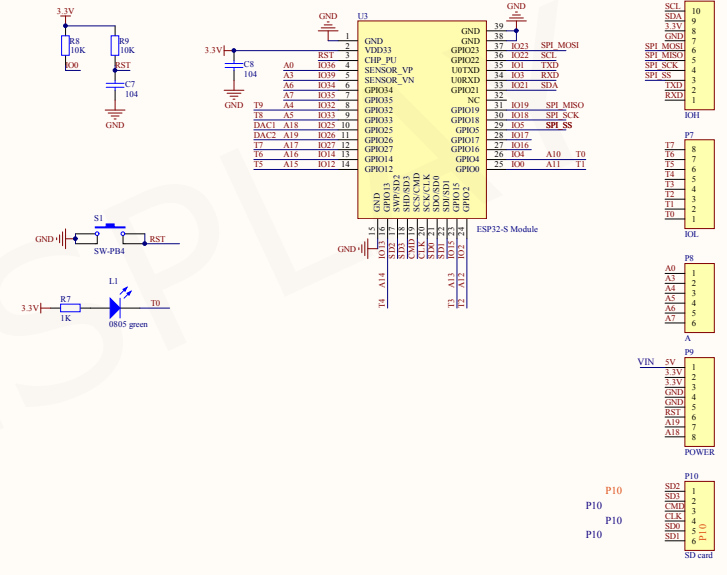
POWER



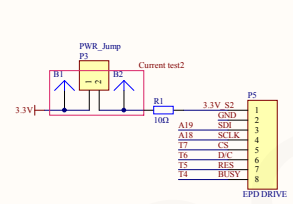
USB



MCU



INTERFACE



Title		
ESP32		
Size	Number	Revision
Date:	2020/8/12	Sheet of
File:		Drawn By: